



DURASTAR



DURASTAR®



INTERNATIONAL® DURASTAR® A LEADER IN ITS CLASS



Navigate small streets
and alleys with ease



Tough enough to handle
rugged construction jobs



DuraStar® delivers results,
so you can deliver your goods

MEDIUM-DUTY MEETS MAXIMUM RELIABILITY

If you've got a job to do, International® DuraStar® will help you get it done. That's because in the world of medium-duty trucks, DuraStar is the one truck that has always delivered.

It goes beyond efficiency, durability and driver satisfaction. DuraStar also has a well-earned reputation for adaptability, an ability to handle just about any task. Whether it's towing cars off the highway in a snowstorm, repairing downed power lines, or racing to a fire, DuraStar is a rugged performer that always answers the call.



You can rely on DuraStar to
keep your customers stocked



Versatility and reliability
keep the utilities running



When performance is critical,
DuraStar performs

ITS WORK ETHIC
IS AS STRONG AS YOURS

The success of your business depends on a truck that performs efficiently. Which is why DuraStar® was designed from the ground up to run effectively, for maximum productivity.

Flexibility

DuraStar has a wide variety of chassis and powertrain options to accommodate all kinds of work applications. Available bolt-on front frame extensions allow for plows and other applications. Available C-Channel reinforcements allow for heavy loads and severe-duty applications. Name the job, and we'll configure a DuraStar for you.



STANDARD SERVICE-RELATED FEATURES

Standard service-related features like extended life engine coolant, fuel-water separator with restriction indicator and water-in-fuel sensor and high-temperature radiator hoses help prevent costly breakdowns and keep your truck on the road longer.

EASILY REPLACEABLE COMPONENTS

Many DuraStar® components, such as its aerodynamic 3-piece hood, breakaway mirrors, and one-piece standard grille, were designed to be easily replaceable. This translates to lower repair costs and less downtime.

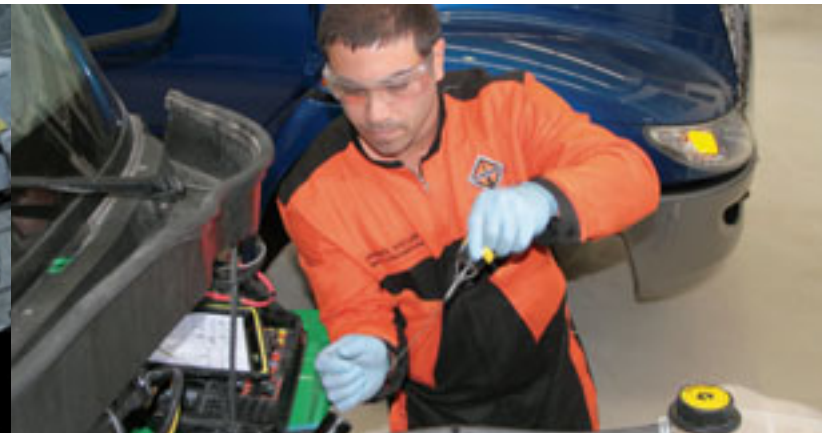


Ease of Service

- ▶ The DuraStar simplifies important routine maintenance for maximum uptime and more bottom-line efficiency



- ▶ In an accident, a three-piece hood means you only need to replace certain sections, not the entire hood, which keeps repair costs down



- ▶ Most routine service points are on the same side of the vehicle
- ▶ Crucial fluids are easy to access
- ▶ Translucent fluid reservoirs make level-checking easy

INTRODUCTION

EFFICIENCY

DURABILITY

DRIVER SATISFACTION

DIAMOND LOGIC

ENGINES

CONFIGURATIONS

ONCOMMAND™

DEALER NETWORK

BUILT TOUGH
TO TAKE ON ANY JOB

DuraStar® is durable enough to perform in all kinds of demanding situations and harsh environments. So whether you're racing to a fire or towing cars off the road in a snowstorm, you can count on this truck to hang tough and get the job done.



INTRODUCTION	EFFICIENCY	DURABILITY	DRIVER SATISFACTION	DIAMOND LOGIC	ENGINES	CONFIGURATIONS	ONCOMMAND™	DEALER NETWORK
--------------	------------	------------	---------------------	---------------	---------	----------------	------------	----------------

A Truck Built for the Real World

Built completely of commercial-grade components and materials, DuraStar® is as tough as you need it to be, and then some. Regardless of the job you do, DuraStar's quality construction and materials can handle the action. DuraStar boasts a nearly indestructible huck-bolted chassis. Its sturdy cab exceeds SAE and ECE roll-over safety regulations. Its base coat/clear coat paint resists corrosion and weather. No matter what job you throw at DuraStar, it's built to perform.

Commercial-Grade Components

Bumper to bumper, DuraStar is built from commercial-grade components. From its best-in-class HVAC system to its four point rubber mount cab suspension to its 3-piece, high-strength composite hood to its optimized drive train, this truck's components have all been real-world tested – and proven.



Proven Reliability

DuraStar's available Cummins® B6.7 and L9 engines offer the durability and uptime you demand. Also available is the Navistar® N9 engine legendary for its ruggedness and high performance.



Cab Durability

- ▶ Cab made of high-strength, low-alloy (HSLA) double-sided galvanized steel and standard cold-rolled steel
- ▶ Base coat/clear coat paint process provides outstanding resistance to corrosion and fading, and is backed by a 12-month unlimited warranty
- ▶ E-Coated internal door construction components are designed to be operated in wet conditions
- ▶ One piece of steel surrounds the entire door opening, for superior structural integrity
- ▶ Standard 7-year warranty on frame

INTRODUCTION

EFFICIENCY

DURABILITY

DRIVER SATISFACTION

DIAMOND LOGIC

ENGINES

CONFIGURATIONS

ONCOMMAND™

DEALER NETWORK

BUILT WITH
DRIVERS IN MIND

The DuraStar® Interior Features:

Best in class cab depth and leg room for driver and passenger comfort

Seats that provide more comfort on even the longest trips

Fixed, tilt or tilt telescoping steering columns to accommodate every need

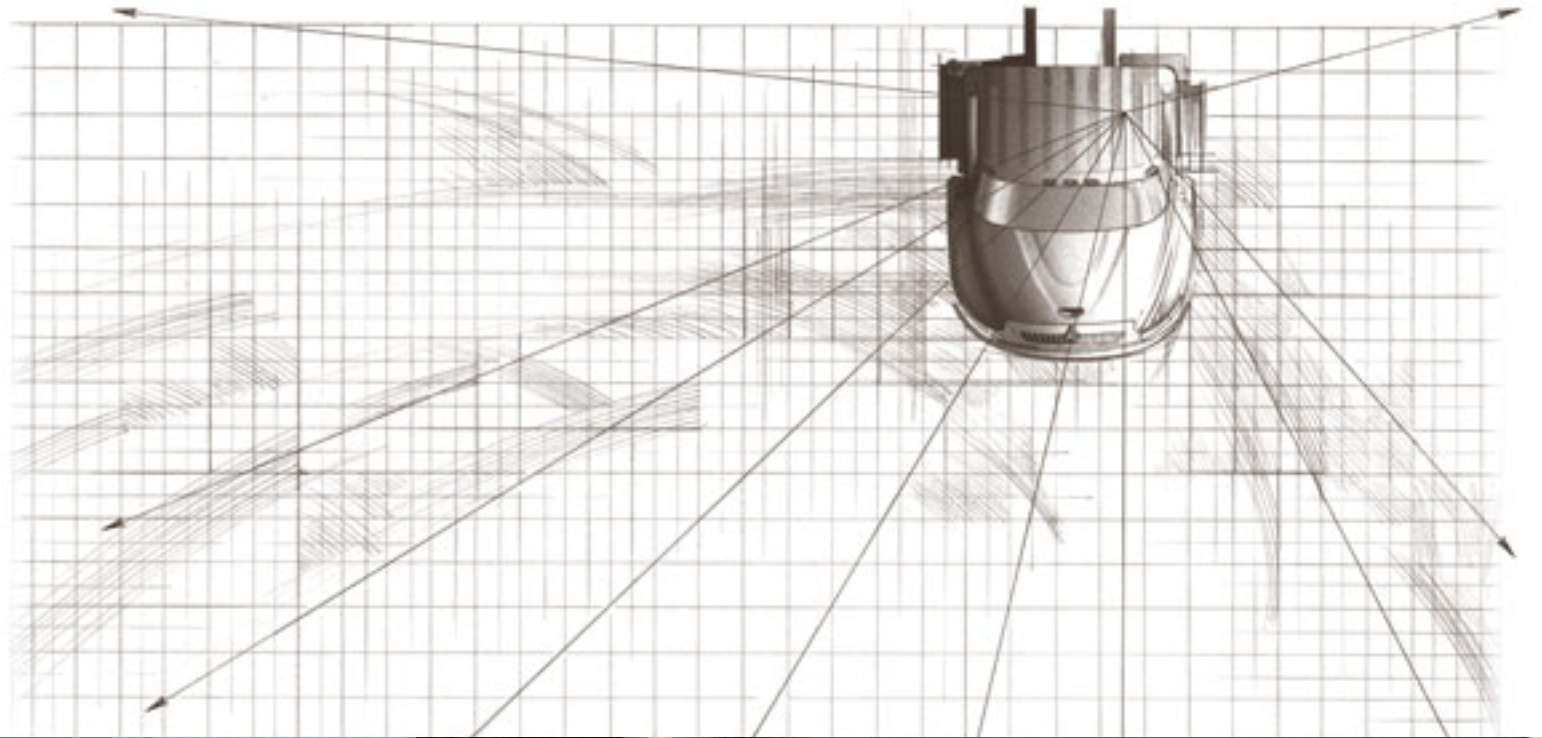
Best-in-class HVAC optimizes comfort no matter the season

Easy-to-read instrument panel helps improve driver safety

Standard netted overhead storage console

Optional wraparound wing panel for convenient access to additional gauges, controls or power supplies

No matter what the job, the better you see, the better you perform. So we engineered DuraStar® with a panoramic, swept-back windshield that maximizes the driver's range of vision, for increased safety and ease of operation. A heated windshield for melting snow and ice is also available.



Smart Details

The DuraStar is loaded with features to make the driver's life a little easier.

- ▶ Ergonomically designed interior for more comfortable workspace

- ▶ Well-balanced hood requires less than 16 lbs. of effort to raise—less than any competitor
- ▶ 62-degree door swing and 38.5"-wide door opening for easier cab entry and egress

- ▶ Optional storage capacity under the passenger bench seat offers an additional convenient compartment to store belongings

- ▶ DuraStar's superior visibility makes it ideal for emergency and rescue applications where safety is key

THE BRAINS BEHIND THE TRUCK

The Diamond Logic® Advantage

With Diamond Logic®, the engine, transmission, instrument panel and other vehicle components continuously communicate with each other electronically. By monitoring critical vehicle functions and relaying information to the driver, it ensures safe, efficient vehicle operation.

This self-diagnosing and self-monitoring system, which also features automated pre-trip vehicle inspections, allows drivers and technicians to accurately pinpoint electrical problems, for quicker troubleshooting and repairs.

Operational Benefits:

Increases reliability and uptime and reduces repair costs

Easier and faster body mounting

Integrated switch packs into dashboard



State-of-the-Art Multiplexing Technology

Multiplexing is the foundation for communication between functional areas of the vehicle.

- ▶ Gives you constant updates on all vehicle components, to head off potential problems faster
- ▶ Reduces wiring by 40%, for fewer electrical shorts and fewer breakdowns
- ▶ Electronic circuit modules and software perform vehicle functions, instead of a complex wiring harness

Pre-programmable Features & Applications

The Diamond Logic® programmable system allows for automation of tasks and interlocks, to protect the equipment from inadvertent damage due to operator error.

- ▶ Headlights can be programmed to turn on with windshield wipers
- ▶ PTO can be programmed to shut down when parking brake is released
- ▶ Differential locks are released above 25 MPH

APPLICATIONS

Dump A back-up alarm and dump bed indicator lights and tarp controls can be factory-installed for safety and TEM convenience.

Fire/Emergency We can install air horns for passenger control at the factory. A remote engine speed control can be factory-installed to set the pump speed as well.

Propane/Compressed A theft-deterrent system can be added, requiring a security code for the vehicle to be driven. Air solenoids can be factory-installed to control valves to the propane delivery system. Remote shutdown allows driver to shut off the engine outside of the cab in emergencies.

Utility Alarms can be installed to alert drivers and operators when equipment is not stored properly. Remote power modules (plug and play integration between body equipment and chassis) can be installed. Body-mounted warning flashers and lights can be customized to operator specifications.

Refuse The available pre-trip light inspection feature makes inspection easy. Remote engine speed controls can be factory-installed to run hydraulic equipment. Packing operation interlocks can be set up to protect equipment.

DIAMOND LOGIC DELIVERS

- 1 A stored record of programmed electrical circuit configuration, for future reference in troubleshooting of updating systems, prevents undue travel and labor costs when repairing vehicle.
- 2 Reliability and life expectancy are increased with low current components and long-life LEDs for gauge cluster warning lights and switch indicators, maximizing uptime.
- 3 On-board diagnostics monitor electrical modules. Trouble codes are shown on the LCD display and stored in the system for quick troubleshooting and increased uptime.
- 4 A full range of pre-programmable features, including pre-trip inspections (e.g., a light check function) that help drivers ensure truck is ready for service.
- 5 Safety interlocks, operational limits and rules within the electrical system, can be set to avoid costly damage or injury to the vehicle, the equipment or the operator.



MORE POWER MEANS MORE PRODUCTIVITY

Whatever your business, a fully capable truck and engine is a necessity. With the availability of the Cummins® B6.7, Cummins L9 and our propriety N9 engines to choose from, DuraStar® delivers just that.

Navistar® N9 Engines Feature:

- SCR Technology to meet federal emission standards
- Power packed ratings with improved performance and reliability
- Diamond Logic® Control System

Cummins B6.7 Features:

- Up to 7 percent better fuel economy than Cummins EPA 2013 ISB6.7
- Single Module™ aftertreatment system
- Best-selling medium duty engine in its class

Cummins L9 Features:

- Best power-to-weight ratio in its class
- Up to 15 percent better fuel economy over engines of the last decade
- Single Module aftertreatment system



DuraStar® is available with the broadest portfolio of medium range diesel engine options in the industry – including our proprietary N9 engine, Cummins® B6.7 and Cummins L9. – in several HP and torque ranges.

CUMMINS B6.7 SPECS

The B6.7 is the best-selling engine in the medium duty truck market and is built on a proven and refined platform.

Maximum Horsepower	(hp @ 2600 rpm)	325
Maximum Torque	(lb.-ft. @ 1600 rpm)	750
Gov. Speed	(rpm)	2600
Clutch-Engagement Torque	(lb.-ft. @ 800 rpm)	400



CUMMINS L9 SPECS

The L9 offers the highest power density of any engine in its class.

Peak Horsepower	(hp @ 2200 rpm)	350
Peak Torque	(lb.-ft. @ 1400 rpm)	1000
Gov. Speed	(rpm)	2000
Clutch-Engagement Torque	(lb.-ft. @ 800 rpm)	550



NAVISTAR® N9 SPECS

The N9 engine is configured for International® medium duty truck providing the horsepower and peak torque to handle the toughest job.

Peak Horsepower	(hp @ 2200 rpm)	330
Peak Torque	(lb.-ft. @ 1200 rpm)	950
Gov. Speed	(rpm)	2200
Clutch-Engagement Torque	(lb.-ft. @ 800 rpm)	750



NEED A CUSTOM TRUCK?
WE'VE GOT YOU COVERED

An International Truck Specialty Center can modify a DuraStar® to your needs while maintaining our rigorous standards. To help integrate systems, maximize efficiencies and boost performance, International TSC Sales Engineers can help you every step of the way. And we can do it all without voiding the original warranty.

So to get the modifications you need to get your specific job done, count on an International Truck Specialty Center.



CONFIGURATIONS



DUMP



AMBULANCE



TOW



REFRIGERATED VAN



BEVERAGE



LANDSCAPING



REFUSE



EMERGENCY



TANK



UTILITY BOOM ARM



BOX VAN



SERVICE

	DURASTAR® 4300 SERIES	DURASTAR 4400 SERIES
Cab Configurations	Standard, Extended, Crew	Standard, Extended, Crew*
Axle Configurations	4x2	4x2, 6x4, 4x2 Mid Cab Tractor
Engine Line-Up	Cummins B6.7	Navistar® N9, Cummins L9

INTERIOR TRIM	DELUXE TRIM LEVEL	PREMIUM TRIM LEVEL
Cab Interior Trim Panels	Cloth-Covered Molded Plastic	Cloth-Covered Molded Plastic
Door Trim Panels	Molded Plastic	Molded Plastic with Cloth Insert on Bolster
Headliner	Soft Padded Cloth	Soft Padded Cloth
Cab Sound Insulation	Available	Standard
Seat Material	Cloth Vinyl	Cloth Vinyl
Floor Covering	Black Rubber	Black Rubber
Instrument Panel Trim	Molded Plastic with Black Center Section	Molded Plastic with Black Center Section
Sun Visor	Two Visors with Driver Side Toll Ticket	Two Moveable Visors with Driver Side Vanity Mirror, Toll Ticket Strap and Auxiliary Visor
Coat Hook	Standard	Standard
Dome Light	Standard	Standard
Courtesy Light	Available	Available
Door Storage Pocket	Molded Plastic, Driver Side	Molded Plastic, Driver and Passenger Side
Overhead Console	Molded Plastic with Dual Storage Pockets with Retainer Nets and CB Radio Pocket	Molded Plastic with Dual Storage Pockets with Retainer Nets, CB Radio Pocket, Speakers and Reading Lights
Cup Holders	Two Cup Holders in Lower Instrument Panel	Two Cup Holders in Lower Instrument Panel

*Note: Crew cab not available on Mid Cab Tractor

TAKE COMMAND OF YOUR BUSINESS

In order for your business to run at its best, your trucks must be running at their best. That's why we created OnCommand™, the most customer-friendly package of service solutions in the industry.

With an arsenal of business tools to choose from, OnCommand helps you achieve more efficient repairs and maintenance, better lifecycle value, and an overall lower total cost of ownership. Ultimately, it gives you better control of your business.

 **OnCommand™**



THE THREE CATEGORIES OF CUSTOMER SOLUTIONS

KNOWLEDGE

OnCommand™ Service Information A centralized, VIN-based, online source of parts and service information for fleet managers and technicians. Facilitates faster, more accurate diagnosis, repair and maintenance.

OnCommand Parts Information This web-based catalog provides instant access to parts lists. Includes illustrated parts breakdown diagrams, for easier parts identification. Shows real-time parts availability.

CONTROL

OnCommand Connection Be more in tune with your fleet than ever before. Using the connection of virtually any telematics provider, you can access real-time vehicle health, prioritize repair and maintenance work and get back on the road more quickly.

OnCommand Service Partner This dealer-provided maintenance and repair program provides fast, accurate repair estimates, fixed labor times for specific repairs, and expedited service.

OnCommand Fleet Charge® This powerful purchasing card program gives customers guaranteed pricing, consolidated billing, customized accounts and parts information. Helps manage parts and service expenses.

OnCommand Preventive Maintenance This program ensures that vehicles get the best parts, premium oil and filters and exclusive service from factory-trained, certified technicians. Purchase by job or for extended periods.

OnCommand Parts Return Program An industry-unique program to return unused parts (whether excess or obsolete), regardless of make, with the potential for full reimbursement at fleet cost.

EDUCATION

OnCommand Education Vehicle maintenance education solutions for technicians, operators and fleet managers, including both web-based courses and instructor-led training at local training centers.



OnCommand Connection works with over a dozen telematics service providers to provide remote diagnostics



Preventive maintenance helps insure maximum uptime

WITH OVER 700 DEALER
LOCATIONS, WE'RE THERE
WHEN YOU NEED US

Every game-changing DuraStar® comes with continuing support, no matter when or where you need it.

With some of the industry's best-trained technicians and an extensive parts inventory, we've also earned a reputation for unrivaled customer service. So you can count on us to get your trucks back on the road more quickly.

Dealer Network Features:

- Over 700 dealer locations
- Over 10,500 technicians
- Over 10,000 service bays
- Over 230 body shops throughout North America



DURASTAR® SPECS AT A GLANCE

BBC	▶ 4300, 4400: 107"
BA	▶ 39.9"
AXLE CONFIGURATIONS	▶ 4x2 ▶ 6x4
CAB CONFIGURATIONS	▶ Day Cab ▶ Crew Cab ▶ Extended Cab
ENGINES	▶ Cummins® B6.7: 200 hp, 520 lb.-ft. torque up to 325 hp, 750 lb.-ft. torque ▶ Navistar® N9: 275 hp, 860 lb.-ft. torque up to 330 hp, 950 lb.-ft. torque ▶ Cummins L9: Up to 350 hp, 1000 lb.-ft torque
TRANSMISSIONS	▶ Eaton® Procion™ 7 Speed Dual Clutch Automatic ▶ Eaton Fuller: 6, 10-Speed Manual ▶ Allison: 1000, 2000, 3000 Series (HS, EVS, RDS) Automatic ▶ Allison: 3000 TRV Series Automatic
FRONT AXLES	▶ Single Steer Axles (4x2) ▶ Meritor: 8,000 - 14,600 lbs. (4x2, 6x4) ▶ Dana Spicer: 8,000 - 14,000 lbs.
REAR AXLES	▶ Single Rear Axles (4x2) Meritor: 13,500 - 30,000 lbs. Dana Spicer: 13,500 - 30,000 lbs. ▶ Tandem Rear Axles (6x4) Meritor: 34,000 - 40,000 lbs. Dana Spicer: 34,000 - 40,000 lbs.
BRAKES	▶ Hydraulic Disc with Four Channel ABS, Optional Traction Control ▶ Air Brakes with ABS, Optional Traction Control, Optional Electronic Stability Program with Traction Control
TIRES	▶ Continental ▶ Goodyear ▶ Michelin

Navistar® Capital

When it comes to financing, experience matters. Navistar® Capital has 60 years of experience and a heritage rooted in truck financing, with financing options that can be built to meet your business needs, including:

- ▶ Retail finance contracts
- ▶ Fair market value leases
- ▶ TRAC leases
- ▶ Rebate leases

For more information, visit navistarcapital.com.

NAVISTAR®
CAPITAL
a BMO Financial Group program



www.InternationalTrucks.com

Specifications, descriptors and illustrative material in this literature are accurate as known at time of publication, but are subject to change without notice. Illustrations may include optional equipment and accessories, and may not include all standard equipment. International, the International Diamond logo, DuraStar and Diamond Logic are registered trademarks of Navistar, Inc. OnCommand™ is a trademark of Navistar, Inc.

TAD11016 01/2017 Lithographed in the United States of America © 2017 Navistar Inc. All rights reserved. All marks are trademarks of their respective owners.

